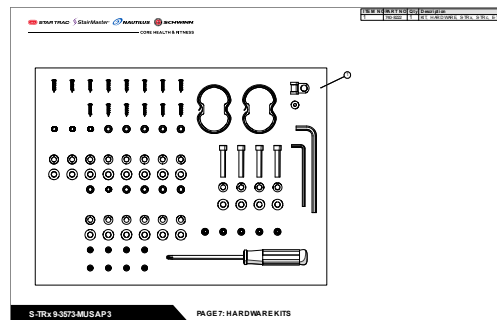
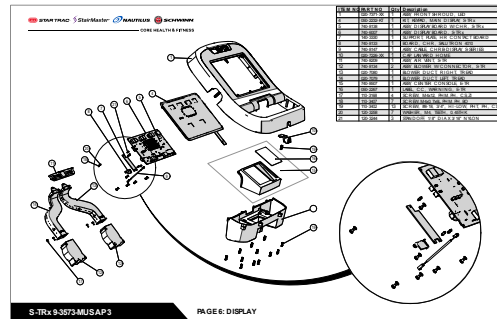
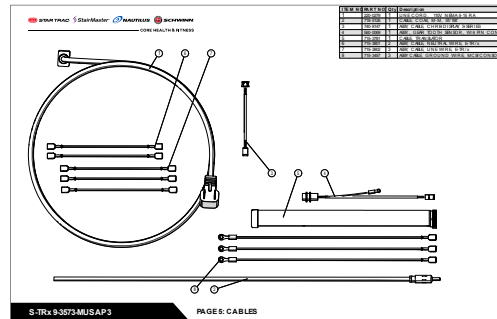
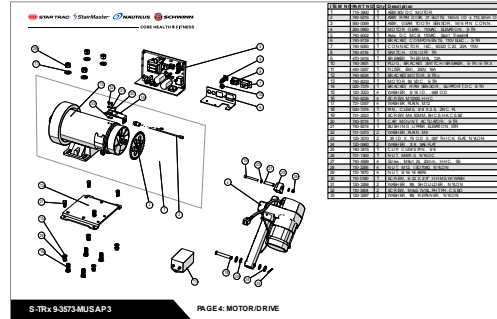
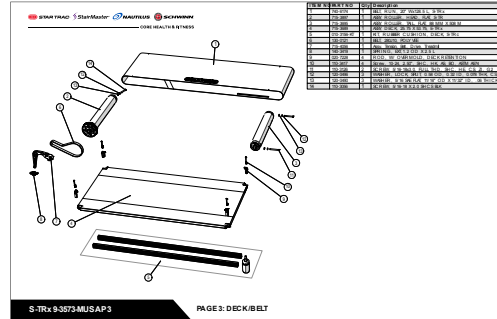
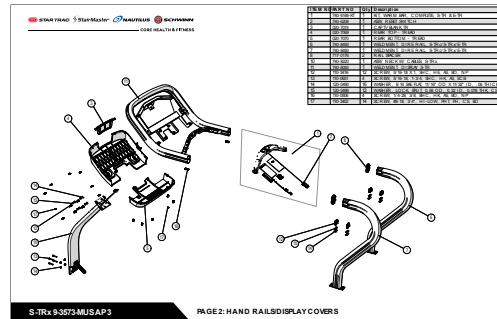
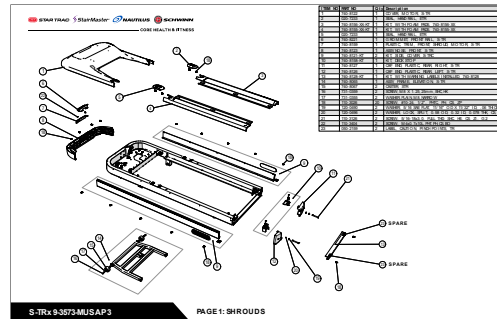
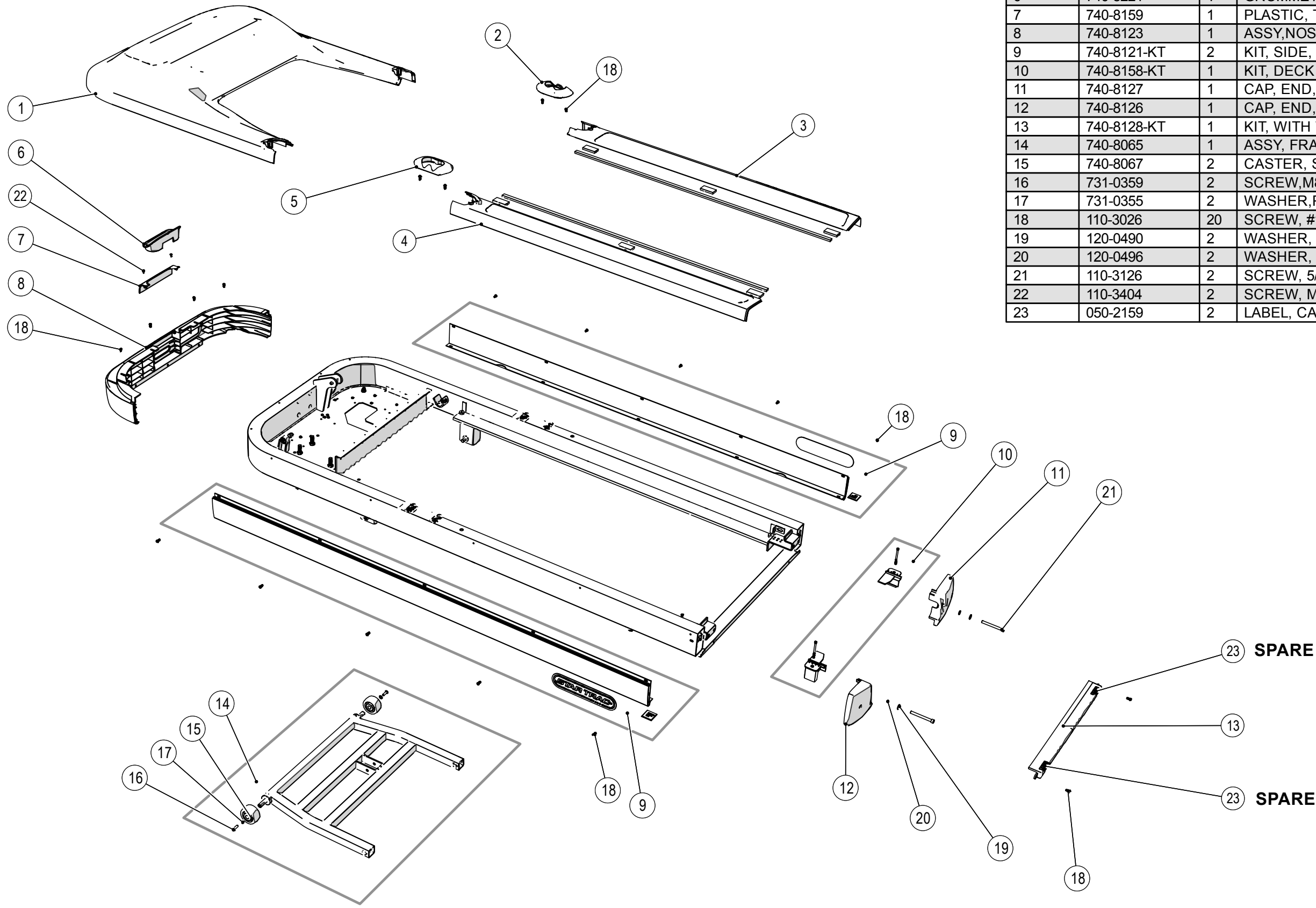


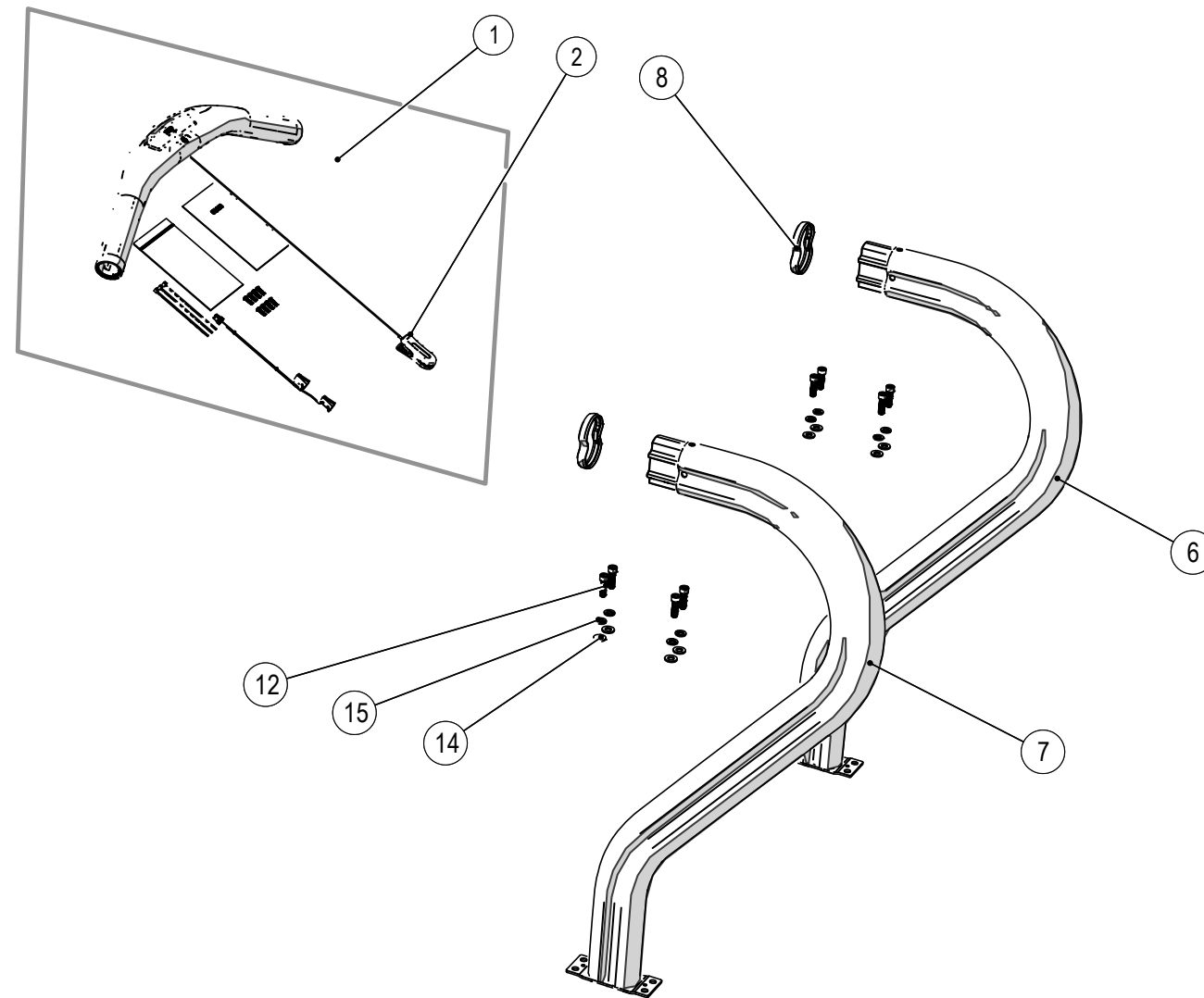
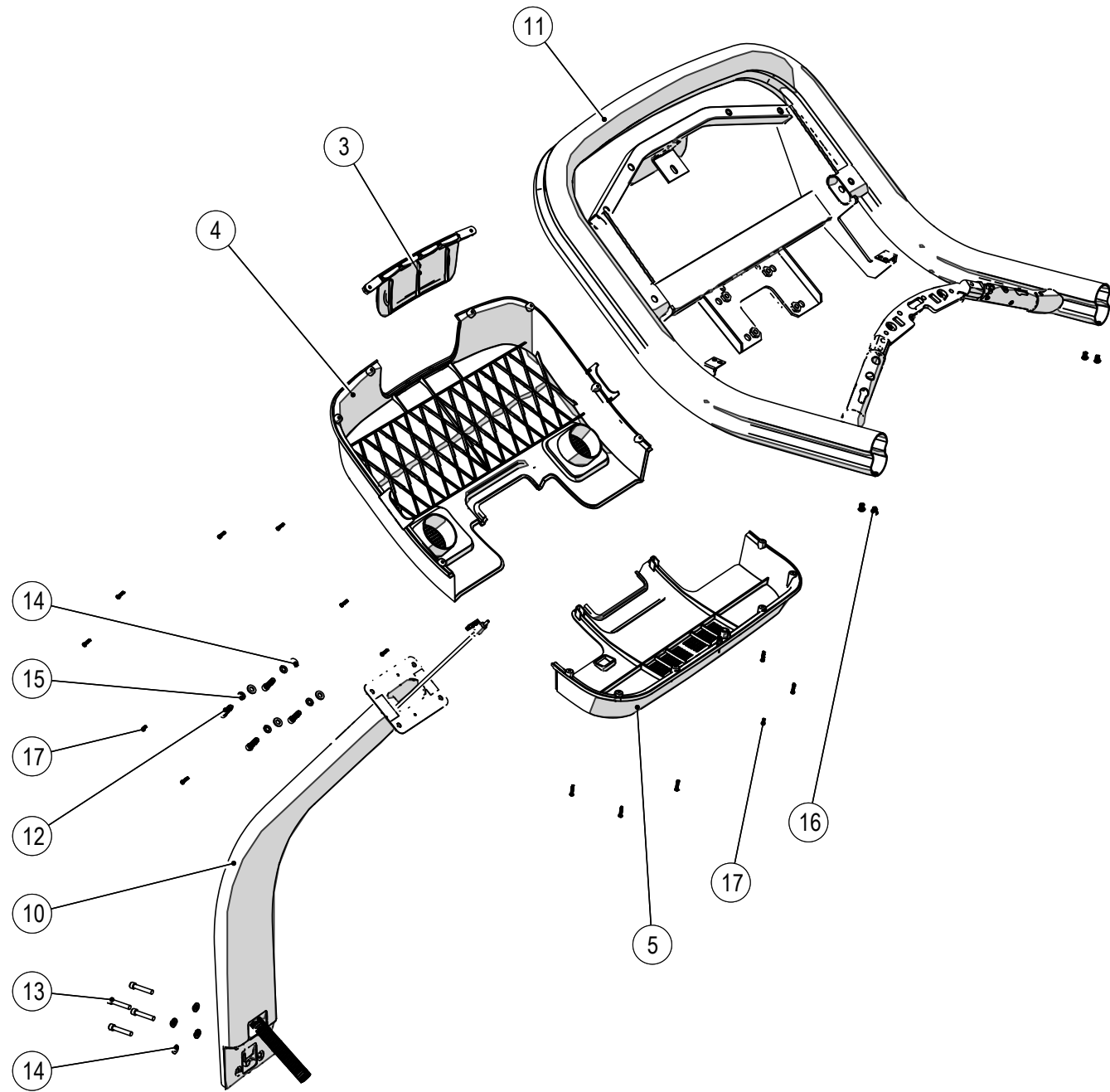
# SERVICE DRAWING: S-TRx 9-3573-MUSAP3

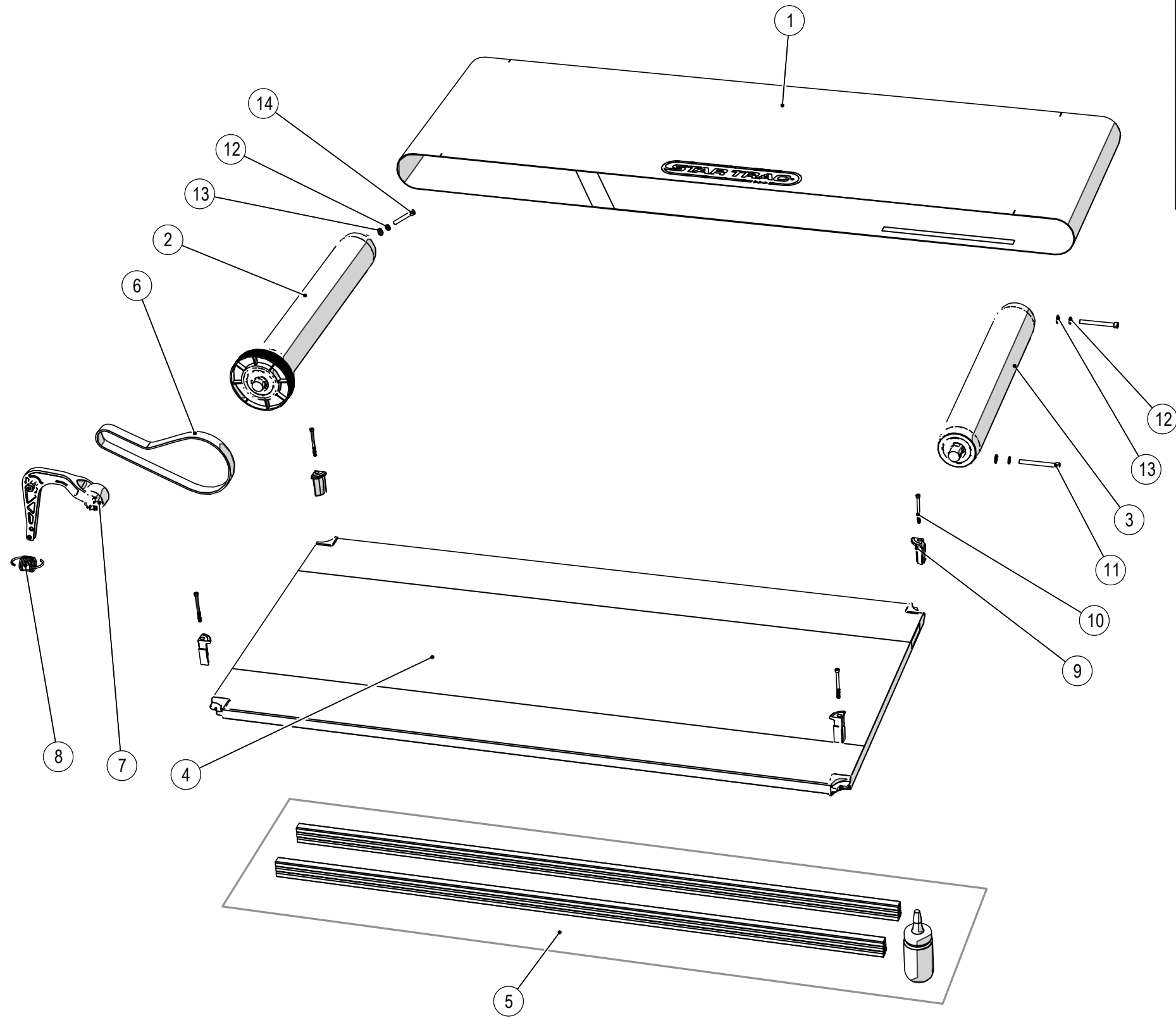




ITEM NO	PART NO	Qty	Description
1	740-8122	1	COVER, MOTOR, S-TR
2	020-7233	1	SEAL, HAND RAIL, ETR
3	740-8156-XX-KT	1	KIT, WITH FOAM PADS, 740-8156-XX
4	740-8155-XX-KT	1	KIT, WITH FOAM PADS, 740-8155-XX
5	020-7233	1	SEAL, HAND RAIL, ETR
6	740-8221	1	GROMMET, FRONT RAIL, S-TR
7	740-8159	1	PLASTIC, TRIM, FRONT, SHROUD, MOTOR, S-TR
8	740-8123	1	ASSY,NOSE, FRONT, S-TR
9	740-8121-KT	2	KIT, SIDE, COVER, S-TRC
10	740-8158-KT	1	KIT, DECK STOP
11	740-8127	1	CAP, END, PLASTIC, REAR, RIGHT, S-TR
12	740-8126	1	CAP, END, PLASTIC, REAR, LEFT, S-TR
13	740-8128-KT	1	KIT, WITH WARNING LABELS INSTALLED, 740-8128
14	740-8065	1	ASSY, FRAME, ELEVATION, S-TR
15	740-8067	2	CASTER, STR
16	731-0359	2	SCREW,M8 X 1.25,25mm,BHC,HK
17	731-0355	2	WASHER,PLAIN,M8,NARROW
18	110-3026	20	SCREW, #10-24, 1/2", PHTC, PH, CS, ZP
19	120-0490	2	WASHER, 5/16 SAE FLAT, 11/16" OD X 11/32" ID, .06 THICK
20	120-0496	2	WASHER, LOCK, SPLIT, 0.58 OD, 0.32 ID, 0.078 THK, CS, ZP
21	110-3126	2	SCREW, 5/16-18x3.0, FULL THD, SHC, HE, CS, ZI, G2
22	110-3404	2	SCREW, M4x0.7x10L,PHT,PH,CS,BO
23	050-2159	2	LABEL, CAUTION, PINCH POINTS, TR

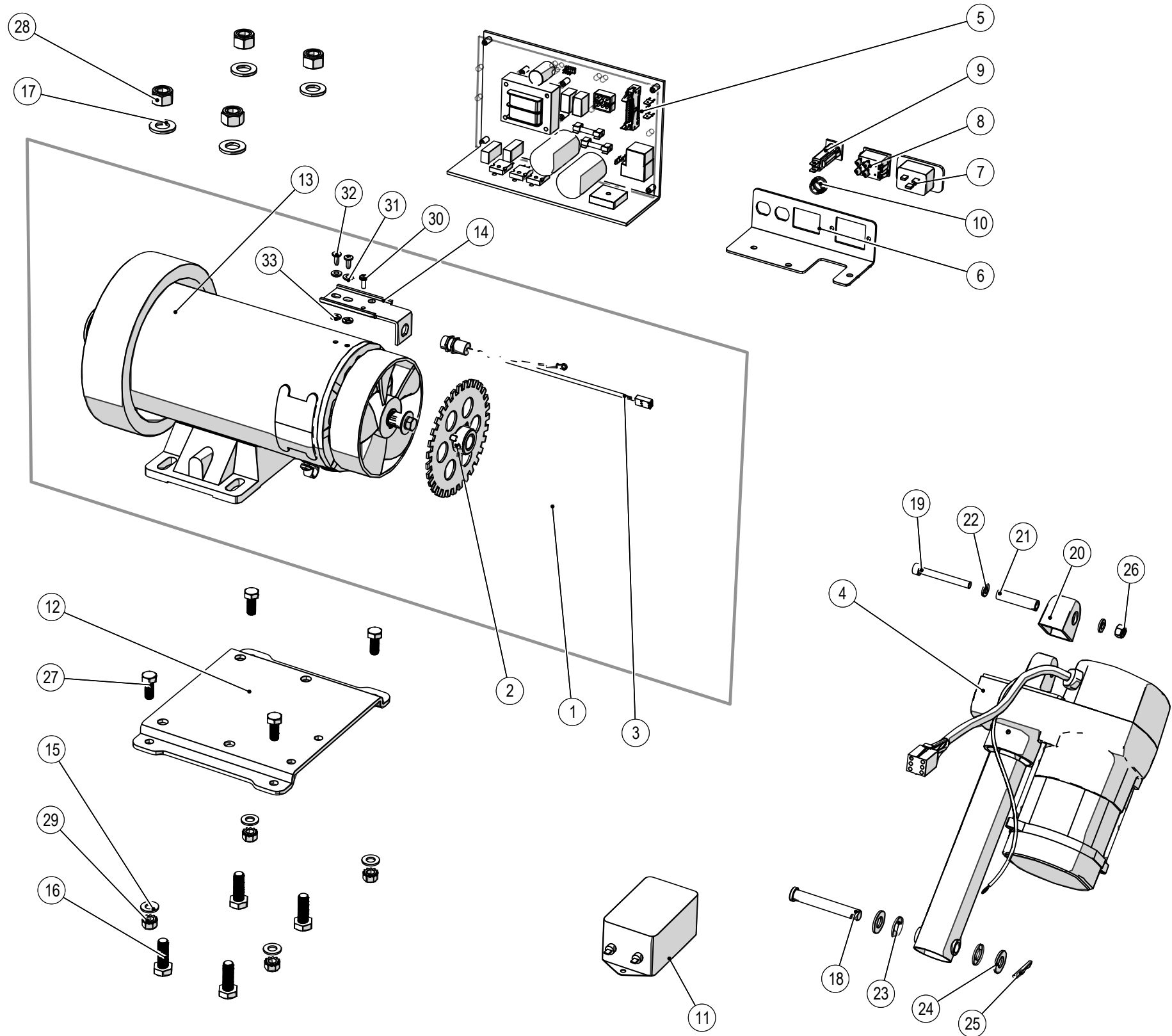
ITEM NO	PART NO	Qty	Description
1	740-6186-KT	1	KIT, WARM BAR, COMPLETE, S-TR & E-TR
2	740-6208	1	ASSY, RESET SWITCH
3	020-7074	1	CAP,TV BLANK,TR
4	020-7069	1	REAR TOP - TREAD
5	020-7070	1	REAR BOTTOM - TREAD
6	740-8493	1	WELDMNT, DIRE RAIL, S-TRc/S-TRx/E-TR
7	740-8493	1	WELDMNT, DIRE RAIL, S-TRc/S-TRx/E-TR
8	717-0176	2	RAIL SPACER
10	740-8220	1	ASSY, NECK W/ CABLES, S-TRx
11	740-8093	1	WELDMNT, DISPLAY, S-TR
12	110-3416	12	SCREW, 5/16-18 X 1, SHC, HE, AS, BO, NP
13	110-0651	4	SCREW, 5/16-18, 1-3/4, SHC, HK, AS, ECB
14	120-0490	16	WASHER, 5/16 SAE FLAT, 11/16" OD X 11/32" ID, .06 THICK
15	120-0496	12	WASHER, LOCK, SPLIT, 0.58 OD, 0.32 ID, 0.078 THK, CS, ZP
16	110-0506	4	SCREW, 1/4-28, 3/8, BHC, HK, AS, BO, NP
17	110-3402	14	SCREW, #8-18, 3/4", HI-LOW, PHT, PH, CS, BO





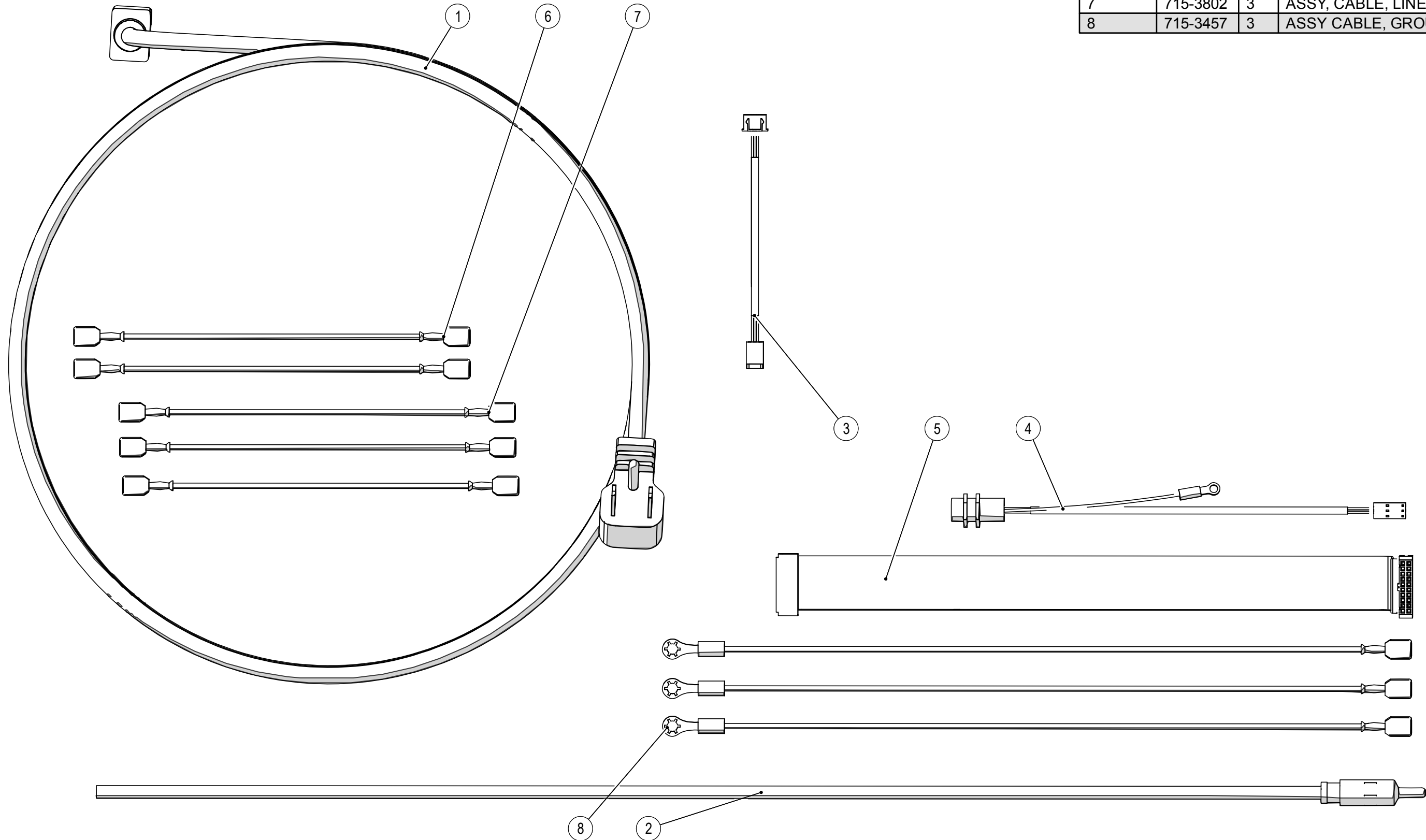
ITEM NO	PART NO	Qty	Description
1	740-6174	1	BELT, RUN, 20" Wx128.5 L, S-TRx
2	715-3897	1	ASSY, ROLLER, HEAD, FLAT, S-TR
3	715-3695	1	ASSY, ROLLER, TAIL, FLAT, 88 MM X 508 M
4	715-3689	1	ASSY, DECK, 25.75 X 53.75, E-TRx
5	010-3156-KT	1	KIT, RUBBER CUSHION, DECK, S-TRc
6	130-0121	1	BELT, 280J10, POLY VEE
7	715-4056	1	Assy, Tension, Belt, Drive, Treadmill
8	140-3419	1	SPRING, EXT, 1.2 OD X 2.5 L
9	020-7228	4	ROD, W/ OVERMOLD, DECK RETENTION
10	110-3417	4	Screw, 10-24, 2.50", SHC, HK, AS, BO, ASTM A574
11	110-3126	2	SCREW, 5/16-18x3.0, FULL THD, SHC, HE, CS, ZI, G2
12	120-0496	3	WASHER, LOCK, SPLIT, 0.58 OD, 0.32 ID, 0.078 THK, CS, ZP
13	120-0490	3	WASHER, 5/16 SAE FLAT, 11/16" OD X 11/32" ID, .06 THICK
14	110-3056	1	SCREW, 5/16-18 X 2.0 SHCS BLK





ITEM NO	PART NO	Qty	Description
1	715-3900	1	ASSY,90V DC MOTOR
2	740-6216	1	ASSY, RPM DISK, 31 SLOTS, 14mm ID x 113.2mm OD
3	560-0069	1	ASSY., GEAR TOOTH SENSOR, W/6 PIN CONN.
4	260-0950	1	MOTOR GEAR, 110VAC, ELEVATION, S-TR
5	740-6002	1	Assy, DC MCB, 110VAC, Sport Treadmill
6	740-8139	1	BRACKET, COMPONENTS, 110V ELEC., S-TR
7	740-6083	1	CONNECTOR, IEC, 60320 C20, 20A, 110V
8	740-6116	1	SWITCH, ON/OFF, TR
9	470-0416	1	BREAKER, THERMAL, 13A
10	140-3451	1	PLUG, BRACKET, SWITCH/BREAKER, E-TR/E-TRX
11	440-0257	1	FILTER, EMI, 250V, 16A
12	740-8234	1	BRACKET,MOTOR,S-TRc
13	740-8233	1	MOTOR,90 VDC, S-TR
14	020-7375	1	BRACKET, RPM SENSOR, SUPPORT,DC S-TR
15	120-3023	4	WASHER, 5/16 ID, .688 OD
16	740-8236	4	SCREW,M10X30,HHC
17	731-0357	4	WASHER,PLAIN,M12
18	020-7374	1	PIN, CLEVIS, 3/8 X 2.5, ZNC PL
19	731-2523	1	SCREW,M6,50MM,SHCS,HK,CS,BZ
20	740-8119	1	CAP, MOUNT, ACTUATOR, S-TR
21	740-8214	1	BUSHING,UPPER,ELEVATION,STR
22	731-0373	2	WASHER,PLAIN,M6
23	120-3310	2	.39 ID X .75 OD X .067 THICK, FLAT, NYLON
24	120-0460	2	WASHER, 3/8, SAE FLAT
25	140-3415	1	CLIP, CLEVIS PIN, 3/8
26	731-1363	1	NUT, M6X1.0, NYLOC
27	740-4589	4	Screw, M8x1.25, 20mm, HHC, SS
28	110-3295	4	NUT, M12, ISO7040, NYLON
29	110-1870	4	NUT, 5/16-18 KEPS
30	110-0180	1	SCREW, 6-32 X 3/8" HHMS,W/WASH
31	120-3266	2	WASHER, #8, SHOULDER, NYLON
32	110-3404	2	SCREW, M4x0.7x10L,PHT,PH,CS,BO
33	120-3267	2	WASHER, #8, RETAINER, NYLON

ITEM NO	PART NO	Qty	Description
1	220-0279	1	LINE CORD, 110V, NEMA 5-15 RA
2	718-5126	1	CABLE, COAX, M-M, ST/TBT
3	740-8147	1	ASSY, CABLE, CHRb-DISPLAY, S-SERIES
4	560-0069	1	ASSY., GEAR TOOTH SENSOR, W/6 PIN CONN.
5	715-3781	1	CABLE, TRANSLATOR
6	715-3801	2	ASSY, CABLE, NEUTRAL WIRE, E-TR/x
7	715-3802	3	ASSY, CABLE, LINE WIRE, E-TR/x
8	715-3457	3	ASSY CABLE, GROUND WIRE, MCB/CONSOLE





ITEM NO	PART NO	Qty	Description
1	740-8222	1	KIT, HARDWARE, S-TRx, S-TRc, E-TR

